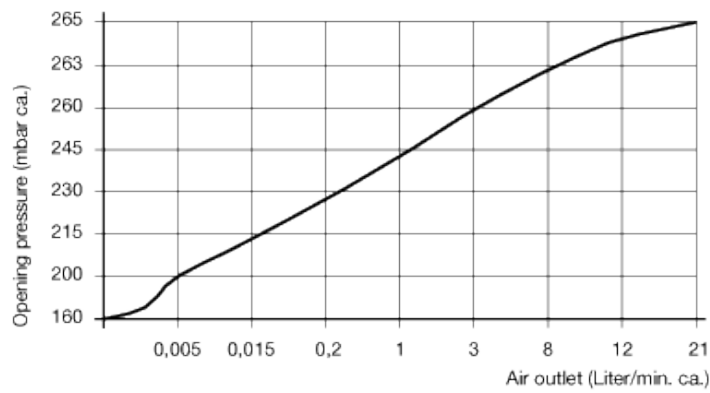
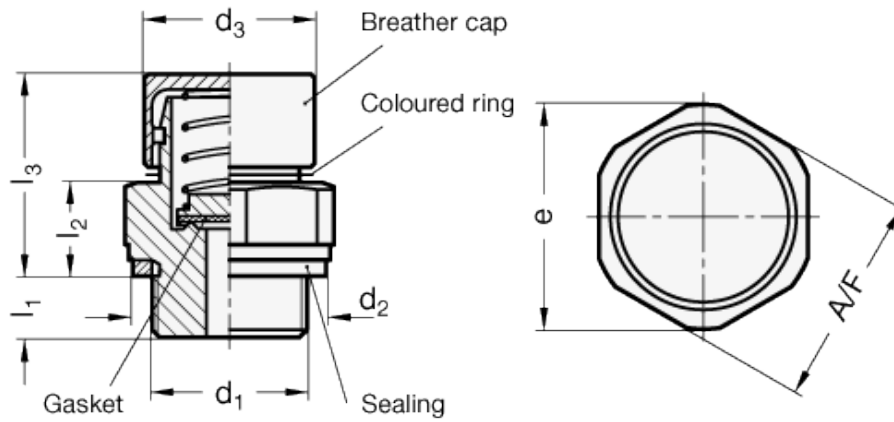


GN 881

Breather valves



technical informations

Material
Brass MS.

Breather cap

Type M: AISI 304 Stainless Steel.

Gasket

Brass, with silicone-rubber coating (VMQ).

Spring

AISI 301 stainless steel.

Sealing DIN 7603 A

Soft iron 1.0338.

Temperature resistance

From -30°C to +100°C.

Accessories on request

- other materials.
- with other opening pressure (20 mbar, yellow ring).
- with dipstick.

Features and applications

Once the opening pressure given in the table is exceeded, breather valves GN 881 with gasket will vent into a container and so protect against excessive inside container pressure. A green colour ring marks the opening pressure of 200 mbar.

In its normal state, the gasket closes the container and so prevents dirt or dust getting inside the container.

The above diagram shows the air outlet as a factor of the opening pressure.

The valves are checked for leak tightness and opening pressure.

Standard Elements	Main dimensions								Opening pressure in mbar ±20%	Weight
Description	d ₁	d ₂	d ₃	e ≈	l ₁	l ₂	l ₃	A/F		g
GN 881-M12x1.5-200-MS-M	M12x1.5	18	20	23.5	8.5	11.5	24.5	22	200	39
GN 881-M14x1.5-200-MS-M	M14x1.5	20	20	20	8.5	11.5	24.5	22	200	44
GN 881-M16x1.5-200-MS-M	M16x1.5	22	20	20	8.5	11.5	24.5	22	200	49
GN 881-M18x1.5-200-MS-M	M18x1.5	24	20	23.5	8.5	11.5	24.5	22	200	52
GN 881-M20x1.5-200-MS-M	M20x1.5	26	20	29	8.5	11.5	24.5	27	200	74
GN 881-M22x1.5-200-MS-M	M22x1.5	27	20	29	8.5	11.5	24.5	27	200	79
GN 881-M24x1.5-200-MS-M	M24x1.5	29	20	32.5	8	12	25	30	200	96
GN 881-M26x1.5-200-MS-M	M26x1.5	32	20	34	8	12	25	32	200	112
GN 881-M30x1.5-200-MS-M	M30x1.5	36	20	39	8	12	25	36	200	148
GN 881-G1/4-200-MS-M	G1/4	20	20	23.5	8.5	11.5	24.5	22	200	42
GN 881-G3/8-200-MS-M	G3/8	23	20	23.5	8.5	11.5	24.5	22	200	51
GN 881-G1/2-200-MS-M	G1/2	26	20	29	8.5	11.5	24.5	27	200	76
GN 881-G3/4-200-MS-M	G3/4	32	20	34	8	12	25	32	200	113
GN 881-G1-200-MS-M	G1	39	20	44	8	12	25	41	200	186

